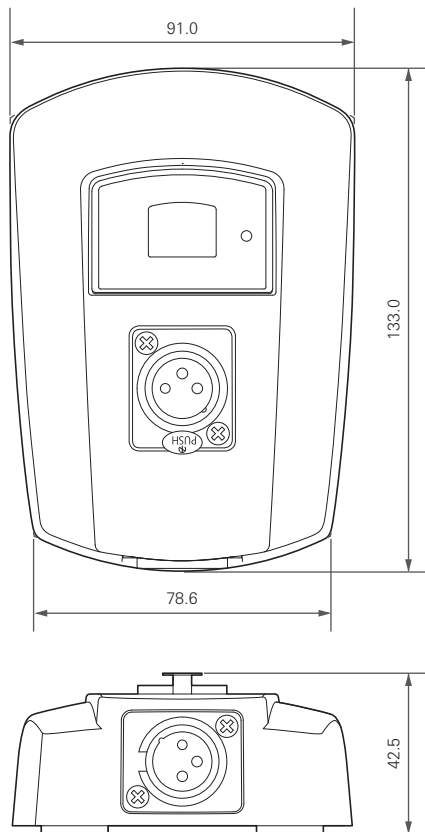




AT8699/AT8699R

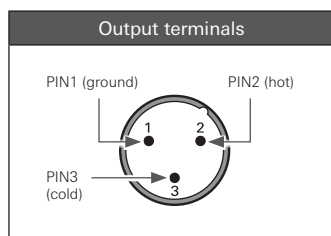
Specifications

Dimensions



(Unit: mm)

Connection procedure



Specifications

Phantom power requirements	11-52 V DC, 1.1 mA
Switches (AT8699R)	Touch-sensitive control: on/off; Switch function: touch on/off, momentary on, momentary off
Weight	AT8699: 782 g (27.6 oz) AT8699R: 805 g (28.4 oz)
Dimensions	AT8699: 42.5 mm (1.67") × 91 mm (3.58") × 133 mm (5.24") (H×W×D) AT8699R: 42.5 mm (1.67") × 91 mm (3.58") × 133 mm (5.24") (H×W×D)
Input connector	Integral 3-pin XLR-F type
Output connector	Integral 3-pin XLR-M type

For product improvement, the product is subject to modification without notice.