

# ATW-DA49a

## User Manual UHF Antenna Distribution System



---

## Introduction

---

Thank you for purchasing this Audio-Technica product. Before using the product, please read through the Quick Start Guide, as well as this user manual when necessary, to ensure that you use the product correctly.

---

## Safety precautions

---

Although this product was designed to be used safely, failing to use it correctly may result in an accident. To ensure safety, observe all warnings and cautions while using the product.

### Important information

**Warning:**

- To prevent fire or shock hazard, do not expose this apparatus to rain or moisture.

**Caution:**

- Do not expose this apparatus to drips or splashes.
- To avoid electric shock, do not open the cabinet.
- Refer servicing to qualified personnel only.
- Do not expose this apparatus to excessive heat such as sunshine, fire or the like.
- Do not subject this apparatus to strong impact.
- This apparatus should be located close enough to the AC outlet so that you can easily grasp the AC adapter at any time.
- In case of emergency, disconnect the AC adapter quickly.
- Do not place any objects filled with liquids, such as vases, on this apparatus.
- To prevent fire, do not place any naked flame sources (such as lighted candles) on this apparatus.
- Do not install this apparatus in a confined space such as a bookcase or similar unit.
- Install this apparatus only in the place where ventilation is good.

---

## Notes on use

---

- Be sure to read the connected device's user manual before use.
- Turn off the power of the connected device before connecting or disconnecting cables.
- If you use the product near a TV or radio antenna, you may hear unwanted noise in the television or radio. If this occurs, move the product away from the device.
- The wireless system may be affected by electromagnetic noise from light dimmers, computers, OA devices, or electric musical instruments. Position the components of the system in a place where they are less likely to be affected.
- Only use the product in combination with devices specified by Audio-Technica.

---

## Rack-mounting the product

---

- Screws for rack-mounting the product are not included.
- Consider ventilation when rack-mounting to avoid heat building up in the rack.
- When installing the product on a rack, make sure that the temperature inside the rack does not reach or exceed 45°C. Higher temperatures may negatively affect the internal parts of the product, causing the product to malfunction.
- Ensure at least a 10-millimeter space between the product and other devices or the top and side faces of the rack.
- Do not place any objects around the rear of this apparatus to ensure proper ventilation of this apparatus.
- The required rack specifications are as follows:
  - EIA-standard 19-inch rack
  - 1U-size attachable rack
  - Rack with a shelf on which the product is placed or a guide rail that supports the product.

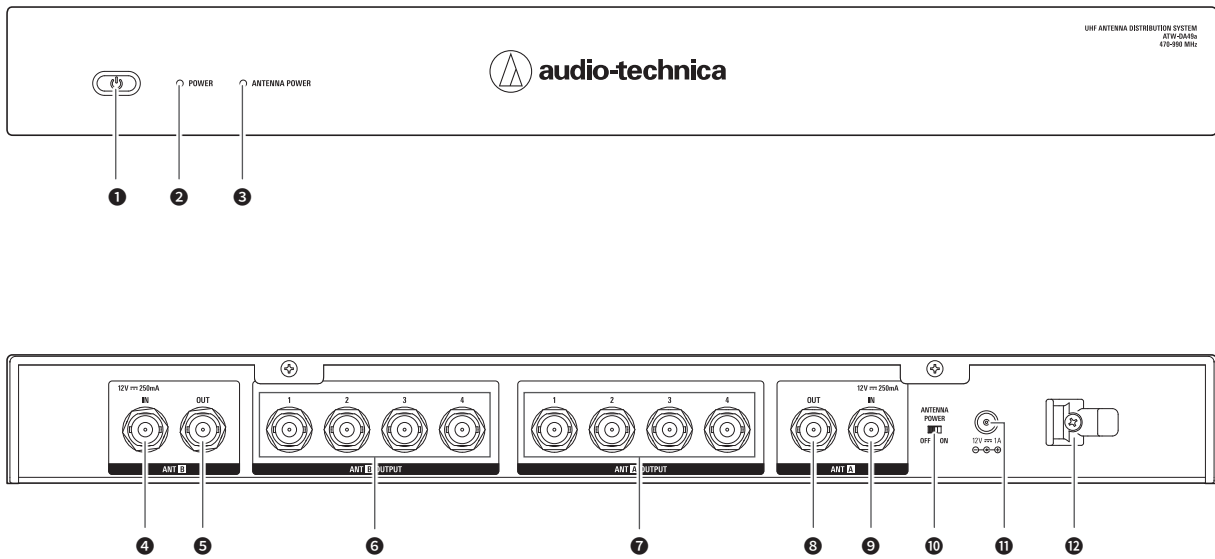
---

## Maintenance

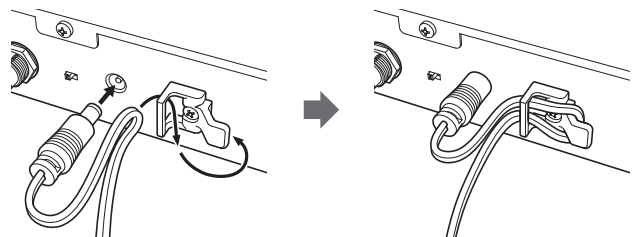
---

- If the product becomes dirty or covered with dust, be sure to turn off the connected device before wiping the product off with a dry and soft cloth.
- Do not use benzine, thinner or electrical contact cleaner, etc. They may deform or otherwise damage the product, or cause operational failure.
- When storing the product for an extended period, wrap the product in plastic to protect it from dust.

## Part names and functions



- 1** Power button  
Press to turn the power ON/OFF.
- 2** Power indicator  
The power indicator lights up when the power is ON.
- 3** Antenna power indicator  
Lights white when 12 V DC is supplied from the antenna jack.
- 4** Antenna B input jack  
12V DC can be supplied from the antenna jack.
- 5** Antenna B cascade output jack  
This is a Channel B cascade output jack.  
The signal can be supplied to the antenna input jack of another ATW-DA49a.
- 6** Antenna B output jack  
These are four distribution output jacks for Channel B.
- 7** Antenna A output jack  
These are four distribution output jacks for Channel A.
- 8** Antenna A cascade output jack  
This is a Channel A cascade output jack.  
The signal can be supplied to the antenna input jack of another ATW-DA49a.
- 9** Antenna A input jack  
12V DC can be supplied from the antenna jack.
- 10** Antenna power switch  
By turning the antenna power switch ON, 12 V DC can be supplied to the antenna input jacks.  
• The factory default is OFF.
- 11** Power input jack  
Input jack for the AC adapter.
- 12** AC adapter cord hook  
Wrap the AC adapter's cord around the hook. It will not come off easily even if the cord is pulled.  
Refer to the figure below for how to wrap the cord.

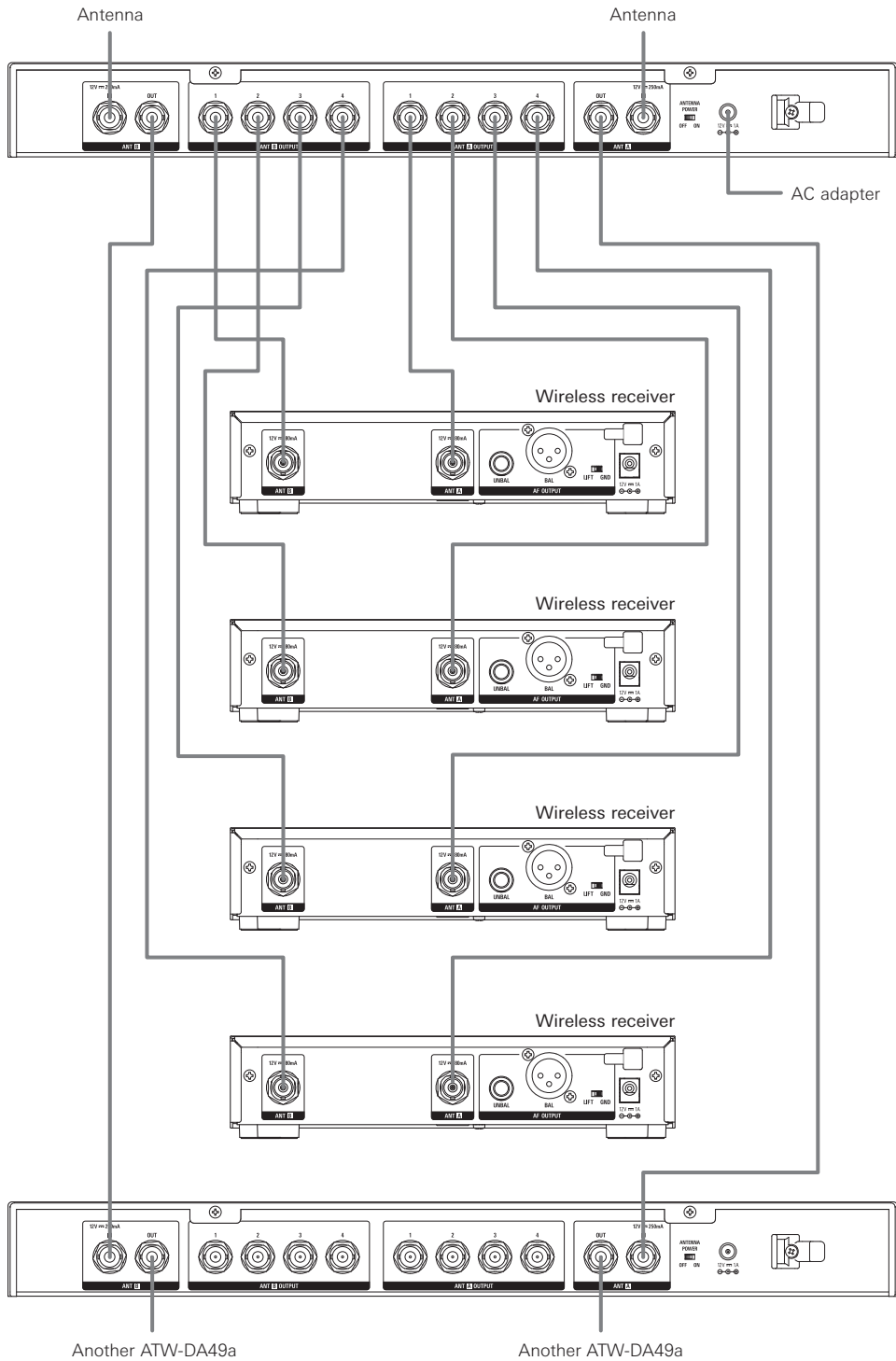


# Making connections

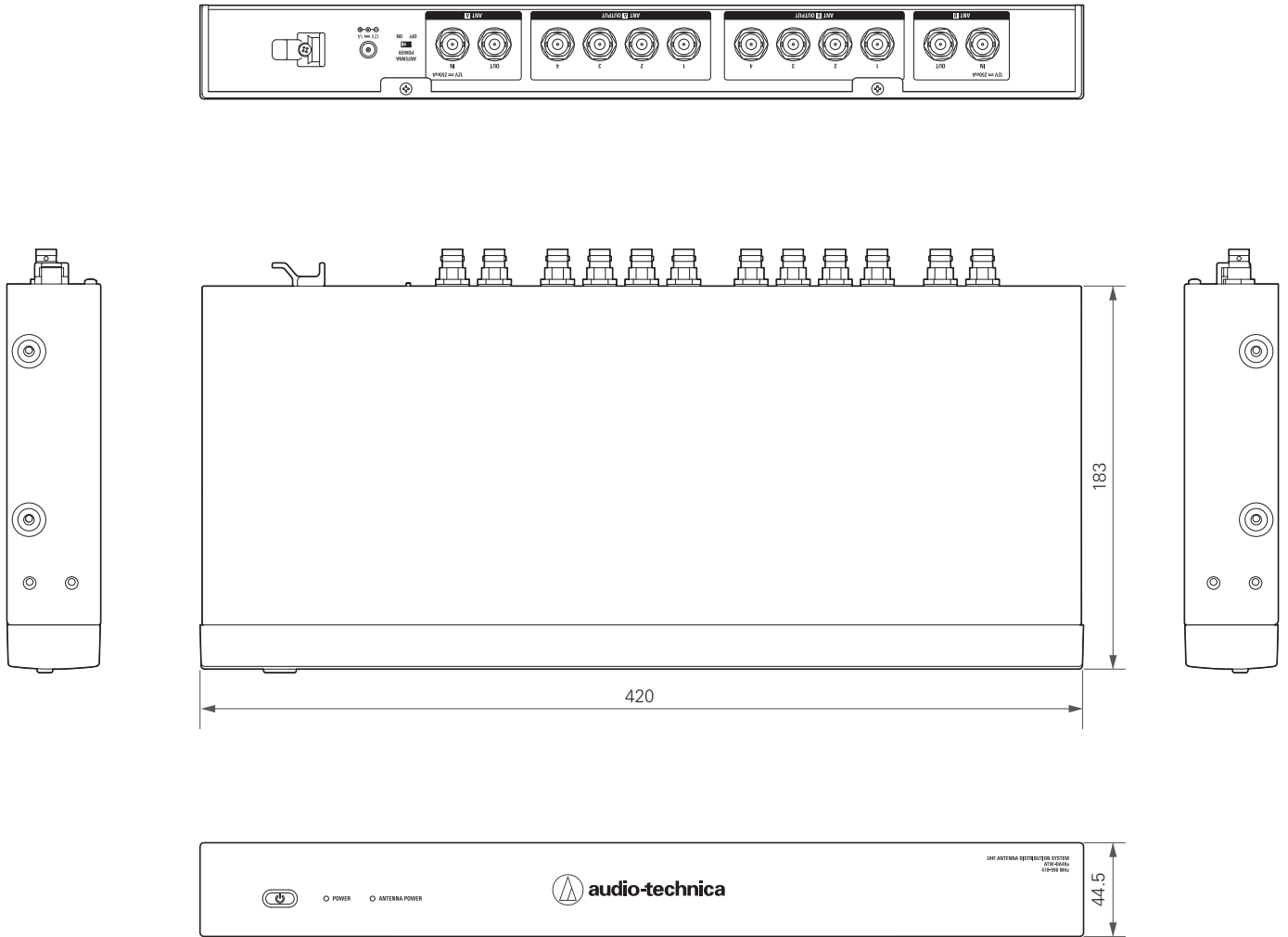
## Cautions when connecting

- Make sure to turn off the antenna power supply setting on the connecting wireless receiver. For setup methods, refer to the user manual of the wireless receiver.
- Before connecting an antenna, be absolutely sure to turn off the antenna power switch. When supplying power to an antenna, first connect the antenna and then turn on the antenna power switch.
- Confirm the frequency band of the connecting wireless receiver, antenna and accessories before use.

Up to three ATW-DA49a units (total four) can be added (recommended).



# Dimensions



(Unit: mm)

## Specifications

Frequency range	470 to 990 MHz
Input/output	2 × 1 input, 2 × 4 output, 2 × 1 cascade output
Input/output jack	BNC
OIP3	+32dBm (typ.)
RF output gain	+1.0 dB ± 3.0 dB
Input/output gain	+1.0 dB ± 3.0 dB
Antenna input power supply	12 V DC, maximum 250 mA × 2
Power supply	100 to 240 V AC (50/60 Hz) to 12V DC 1 A (center positive) switched mode external power supply
Operating temperature range	-5°C to 45°C (23°F to 113°F)
Dimensions	420 mm (16.54")×44.5 mm (1.75")×183 mm (7.20") (W×H×D) (excluding protrusions)
Weight	1.5 kg (3.3 lbs)
Accessories	Rack-mount kit (rack-mount (short) × 2, covering cap × 2, mounting screw × 4), BNC cable × 8, AC adapter

For product improvement, the product is subject to modification without notice.

### Audio-Technica Corporation

2-46-1 Nishi-naruse, Machida, Tokyo 194-8666, Japan

[www.audio-technica.com](http://www.audio-technica.com)

©2019 Audio-Technica Corporation

Global Support Contact: [www.at-globalsupport.com](http://www.at-globalsupport.com)

232417190-02-01 ver.1 2019.07.01