



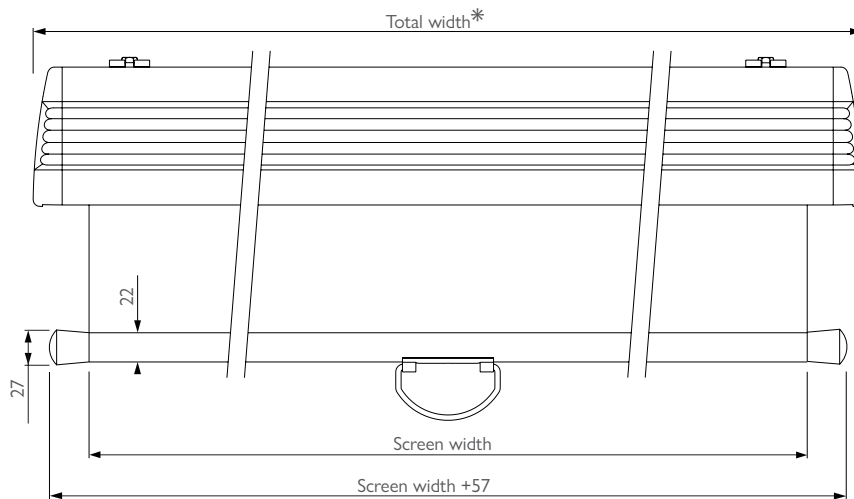
euroscreen®

Diplomat Manual

Diplomat Manual is a high quality screen which, thanks to the robust construction and flexible installation, is the preferred screen among our professional buyers. The installation is very flexible with the channel-fixed mounting brackets that allows for free sideways positioning. The screen can be mounted on the wall as well as in the ceiling. It comes in a white aluminium case and its comprehensive design makes it suitable for any environment; conference rooms, education facilities and home theatres. For an even better installation Diplomat Manual can be equipped with the Soft&Quiet feature which retracts the screen surface into the case in a smooth and controlled way, slowing even more as it approaches its upper limit. Prevents potential damage to the case and screen surface.

SCREEN DIMENSIONS DIPLOMAT MANUAL

SCREEN DIMENSIONS



*Total width:
 Total width (≤ 200 cm screen width) = Screen width +86
 Total width (> 200 cm screen width) = Screen width +94

SCREEN SURFACES

Arctiq
 Matt white front surface, fibre glass support, black-backed.
 Gain 1.0

GreyLight
 Grey front surface, fibre glass supported, black-backed. Gain 0.75

OPTIONS



Soft&Quiet
 Retracts the screen surface into the case in a smooth and controlled way.

STANDARD FORMATS



The screen format is 1:1. No black borders.



The screen format is 4:3. No black borders.

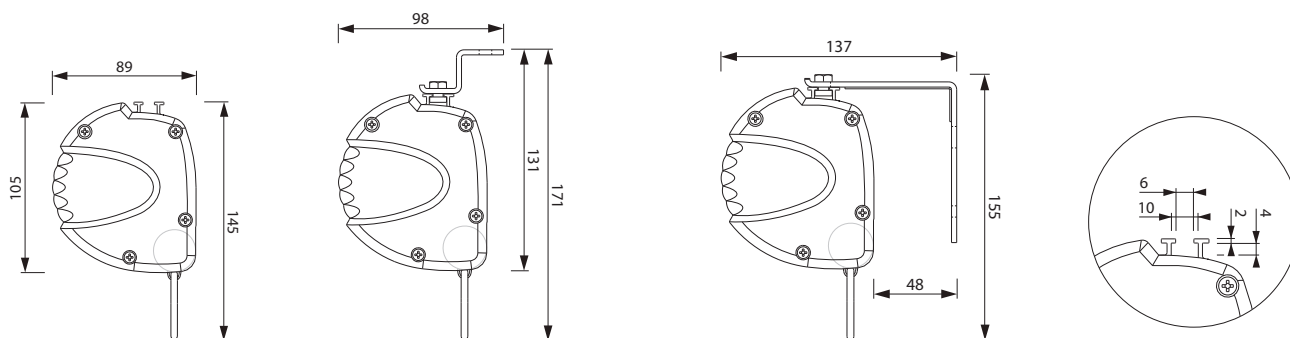


The screen has 5 cm wide black borders. The format of the viewing area is 16:9.



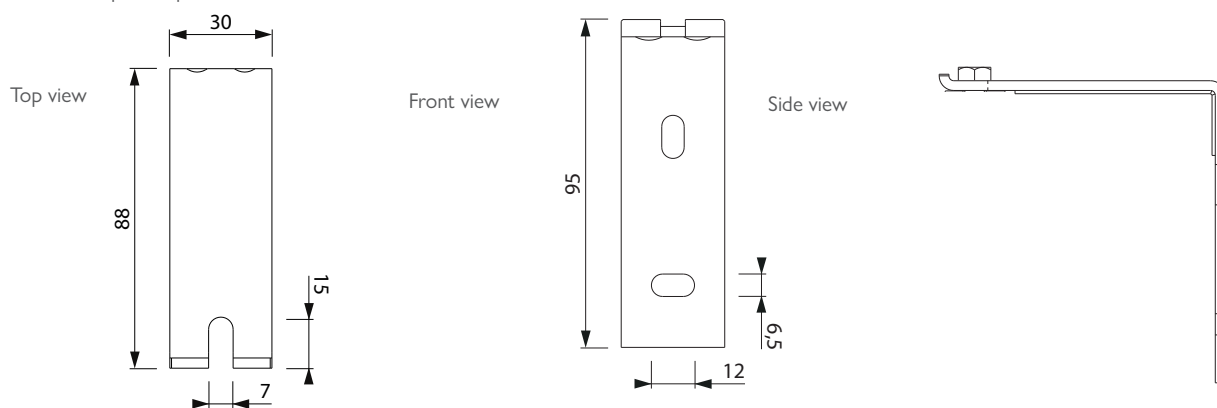
The screen has 5 cm wide black borders. The format of the viewing area is 16:10.

CASE DIMENSIONS

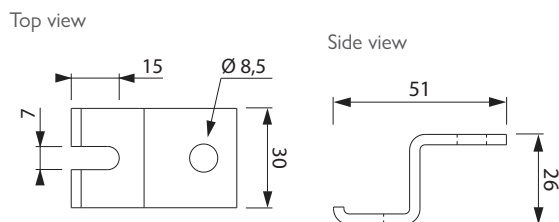


BRACKET DIMENSIONS

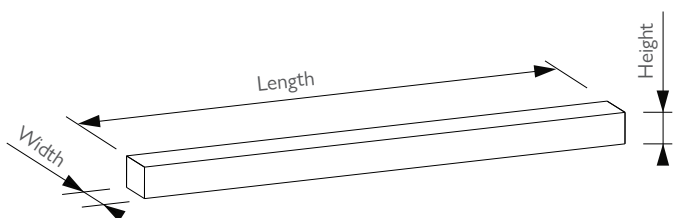
Brackets – Wall
Included in all Diplomat products



Brackets – Ceiling
Included in all Diplomat products



PACKAGING DIMENSIONS DIPLOMAT MANUAL



Screen width	Box length	Box width	Box height
1600	1910	165	170
1800	2110	165	170
2000	2310	165	170
2200	2510	165	170
2400	2710	165	170
2700	3010	165	170
3000	3310	165	170