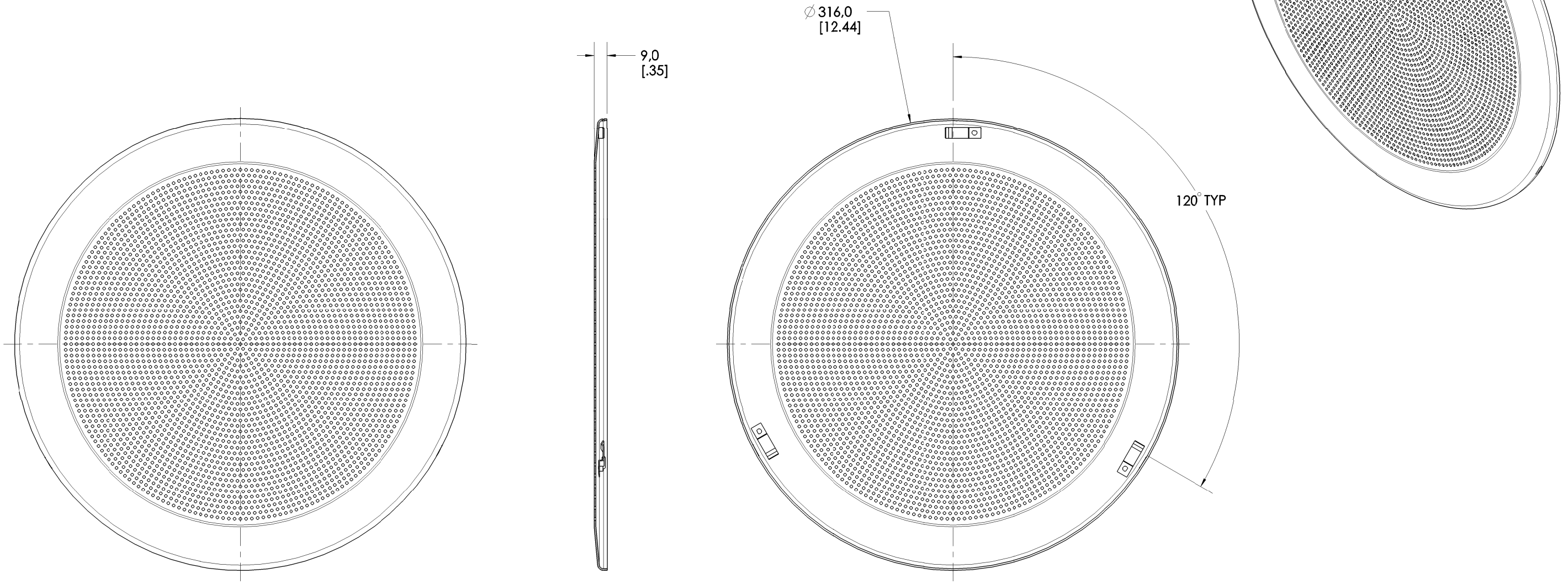


THIS DOCUMENT CONTAINS PROPRIETARY INFORMATION WHICH IS THE PROPERTY OF QSC, LLC. THAT MAY NOT BE DISCLOSED, REPRODUCED OR USED WITHOUT THE EXPRESS WRITTEN CONSENT FROM QSC, LLC.

REVISION		BY	DATE
REV	DESCRIPTION	SS	11-JUL-18
A	INITIAL RELEASE		

NOTE: UNLESS OTHERWISE SPECIFIED
1. NET WEIGHT APPROX. 0.7 LBS (0.22 KG)



SECTION A-A

UNLESS OTHERWISE SPECIFIED DIMENSIONS ARE IN MM [IN] TOLERANCES ARE:		CAD GENERATED DRAWING DO NOT MANUALLY UPDATE		QSC QSC, LLC 1675 MACARTHUR BOULEVARD COSTA MESA, CA 92626 USA	
DECIMALS	ANGLES	APPROVALS		FINISH GOOD, ACCESSORY, AD-MG245, FULL CAPTURE MARINE GRILLE, AD-C4T-LP, AD-C6T	
.X ± 3 [.12]	± 1°	DRAWN BY S. STASIAK		SIZE	REV
MATERIAL	N/A	MECH ENGINEER B. HAWKINS		B	A
FINISH	N/A	TECH DIRECTOR J. HALLEY		CAGE CODE	DWG. NO.
DO NOT SCALE DRAWING		MFG ENG M. JEN		B	00PW4 FG-901301-2D
PROJECTION SYMBOL		SCALE: 1:3		CAD FILE:	FG-901301-2D.A.3
		SHEET:		1 OF 1	