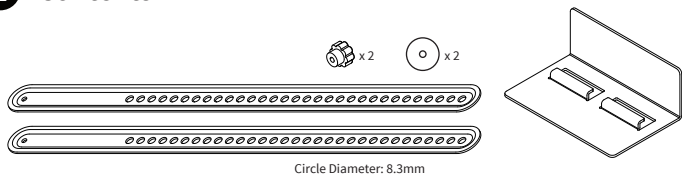


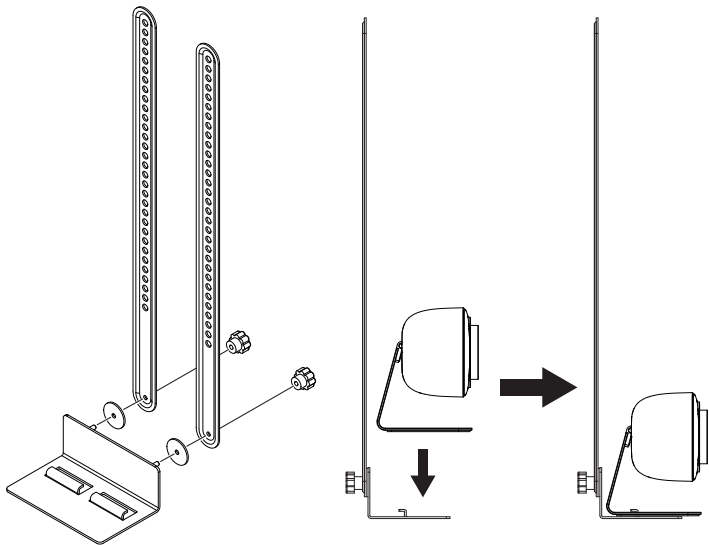
TV Mount

Quick Start Guide

1 Contents



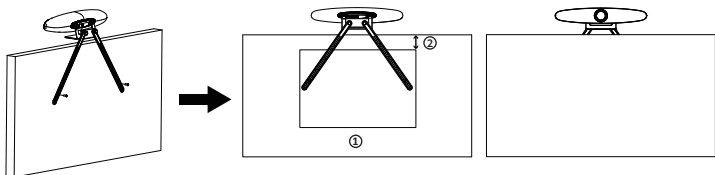
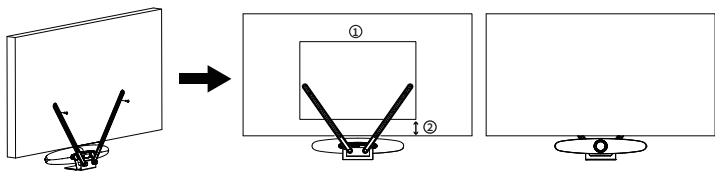
2 Assemble



TV Mount

Quick Start Guide

3 Installation



- ① Mounting Pattern: Up to 800 x 600mm
- ② Reserved Space: Up to 210mm