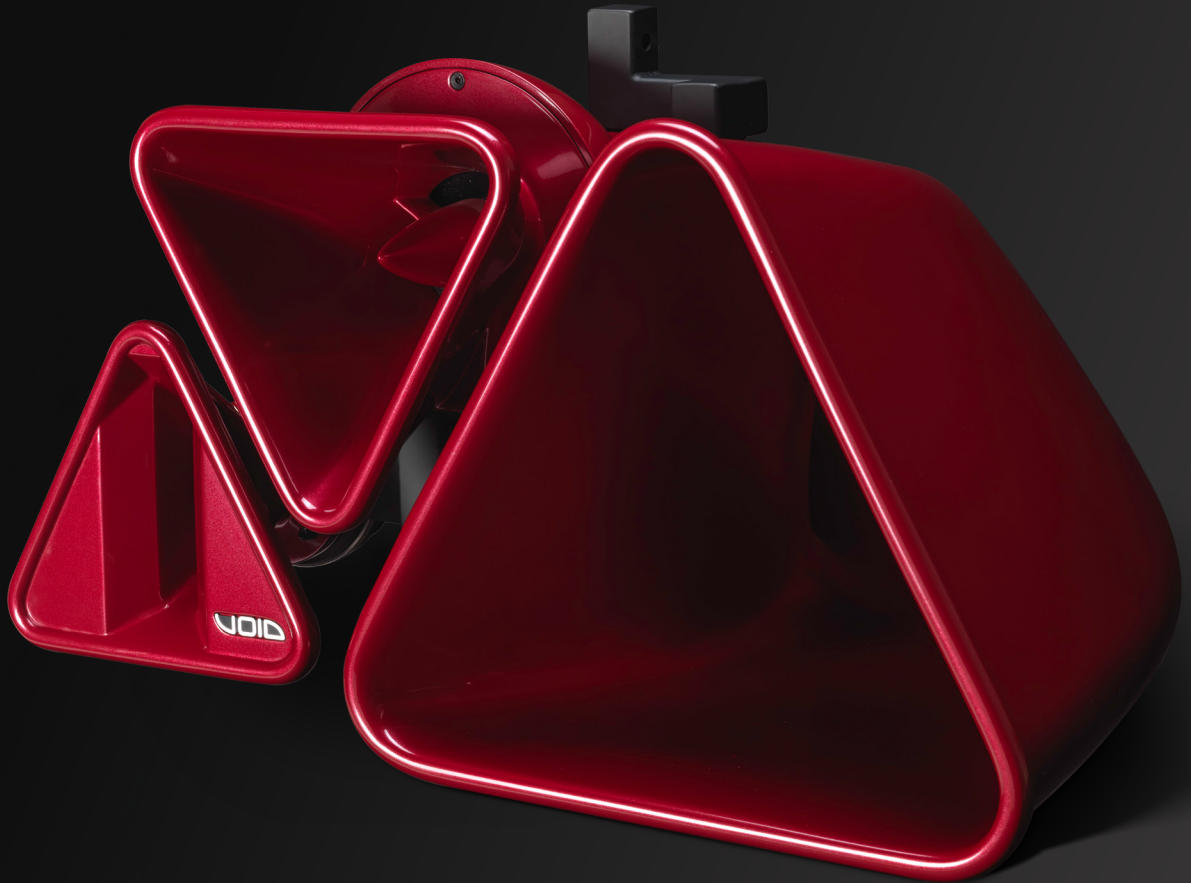


**VOID**

Hear. Feel. Connect.

[voidacoustics.com](http://voidacoustics.com)



# Tri Motion

Unrivalled composition, revolutionary sound

USER GUIDE V2.0

©2022 Void Acoustics Research Ltd.

This user guide is subject to change without notice.  
For the latest online version, visit: [www.voidacoustics.com](http://www.voidacoustics.com)

Void Acoustics and the Void logo are registered trademarks of Void Acoustics Research Ltd. in the United Kingdom, USA and other countries; all other Void trademarks are the property of Void Acoustics Research Ltd.

# Contents

<b>1</b>	<b>Safety and regulations</b>	<b>4</b>
1.1	Important safety instructions	4
1.2	Limitations	4
1.3	EC declaration of conformity	4
1.4	UKCA Conformity	4
1.5	Warranty Statement	4
1.6	WEEE directive	4
<b>2</b>	<b>Unpacking and Checking</b>	<b>5</b>
<b>3</b>	<b>About</b>	<b>6</b>
3.1	Welcome	6
3.2	Tri Motion overview	6
3.3	Key features	6
3.4	Tri Motion specifications	7
3.5	Tri Motion dimensions	8
<b>4</b>	<b>Cable and wiring</b>	<b>9</b>
4.1	Electrical safety	9
4.2	Cable considerations for fixed installations	9
4.3	Tri Motion wiring diagram	10
4.4	Bias D1/Q1/Q2 phoenix wiring	11
4.5	Bias Q3/Q5 speakON™ wiring	11
<b>5</b>	<b>Mounting</b>	<b>12</b>
5.1	Installation safety	12
5.2	Mounting the 'U' bracket	13
5.3	Ground stack	14
5.4	Wall mounting	16
5.5	Ceiling mounting	19
5.6	Truss mounting	21
5.7	Ceiling pole mounting	23
5.8	Pole mounting	25
<b>6</b>	<b>Service</b>	<b>27</b>
<b>7</b>	<b>Appendix</b>	<b>28</b>

# 1 Safety and Regulations

## 1.1 Important safety instructions



The lightning flash with an arrowhead symbol within an equilateral triangle is intended to alert the user to the presence of uninsulated "dangerous voltage" within the product's enclosure that may be of sufficient magnitude to constitute a risk of electric shock to persons.



The exclamation point within an equilateral triangle is intended to alert the user of the presence of important operating and maintenance (servicing) instructions in the literature accompanying the appliance.

## Safety instructions - read this first

1. Read these instructions.
2. Keep these instructions.
3. Heed all warnings.
4. Follow all instructions.
5. Do not use this apparatus near water.
6. Clean only with a dry cloth.
7. Do not block any ventilation openings. Install in accordance with the manufacturer's instructions.
8. Do not install near any heat source such as radiators, heat registers, stoves, or other such apparatus that produce heat.
9. Do not defeat the safety purpose of the grounding-type plug. A grounding type plug has two blades and a third grounding prong. The third prong is provided for your safety. If the provided plug does not fit into your outlet, consult an electrician for replacement of the obsolete outlet.
10. Protect power cords from being walked on or pinched particularly at plugs, convenience receptacles, and the point where they exit the apparatus.
11. Only use attachments and accessories specified by Void Acoustics.
12. Only use with the cart, stand, tripod, bracket, or table specified by the manufacturer, or sold with the apparatus. When a cart is used, use caution when moving the cart/apparatus combination to avoid injury from tip-over.
13. Unplug the apparatus during lightning storms or when unused for long periods of time.
14. Refer all servicing to qualified service personnel. Servicing is required when the apparatus has been damaged in any way, such as when the power-supply cord or plug is damaged, liquid has been spilled or objects have fallen into the apparatus, the apparatus has been exposed to rain or moisture, does not operate normally, or has been dropped.
15. Since the mains power supply cord attachment plug is used to disconnect the device, the plug should always be easily accessible.
16. Void loudspeakers can produce sound levels capable of causing permanent hearing damage from prolonged exposure. The higher the sound level, the less exposure needed to cause such damage. Avoid prolonged exposure to the high sound levels from the loudspeaker.

## 1.2 Limitations

This guide is provided to help familiarise the user with the loudspeaker system and its accessories. It is not intended to provide comprehensive electrical, fire, mechanical and noise training and is not a substitute for industry-approved training. Nor does this guide absolve the user of their obligation to comply with all relevant safety legislation and codes of practice. While every care has been taken in creating this guide, safety is user-dependent and Void Acoustics Research Ltd cannot guarantee complete safety whenever the system is rigged and operated.

## 1.3 EC declaration of conformity

For EC Declaration of Conformity please go to:

[www.voidacoustics.com/eu-declaration-loudspeakers](http://www.voidacoustics.com/eu-declaration-loudspeakers)

## 1.4 UKCA marking

For details of the UKCA marking go to:

[www.voidacoustics.com/uk-declaration-loudspeakers](http://www.voidacoustics.com/uk-declaration-loudspeakers)

## 1.5 Warranty statement

For warranty statement go to:

<https://voidacoustics.com/terms-conditions/>

## 1.6 WEEE directive

If the time arises to throw away your product, please recycle all the components possible.



This symbol indicates that when the end-user wishes to discard this product, it must be sent to separate collection facilities for recovery and recycling. By separating this product from other household-type waste, the volume of waste sent to incinerators or land-fills will be reduced and natural resources will thus be conserved.

The Waste Electrical and Electronic Equipment Directive (WEEE Directive) aims to minimise the impact of electrical and electronic goods on the environment. Void Acoustics Research Ltd complies with the Directive 2002/96/EC and 2003/108/EC of the European Parliament on waste electrical and electronic equipment (WEEE) in order to reduce the amount of WEEE that is being disposed of in land-fill sites. All of our products are marked with the WEEE symbol; this indicates that this product must NOT be disposed of with other waste. Instead it is the user's responsibility to dispose of their waste electrical and electronic equipment by handing it over to an approved reprocessor, or by returning it to Void Acoustics Research Ltd for reprocessing. For more information about where you can send your waste equipment for recycling, please contact Void Acoustics Research Ltd or one of your local distributors.

## 2 Unpacking and Checking

All Void Acoustics products are carefully manufactured and thoroughly tested before being despatched. Your dealer will ensure that your Void products are in pristine condition before being forwarded to you but mistakes and accidents can happen.

Before signing for your delivery:

- Inspect your shipment for any signs of contamination, abuse or transit damage as soon as you receive it
- Check your Void Acoustics delivery fully against your order
- If your shipment is incomplete or any of its contents are found to be damaged; inform the shipping company and inform your dealer.

Tri Motion loudspeakers are heavy (47.1 kg/103.8 lbs) and require a minimum two people to lift.

- Undo the four butterfly catches on the transport case then remove the lid making sure the lid is clear before moving sideways
- If you need to place the Tri Motion on a flat surface ensure you use a lint free product to protect the finish
- To remove from the transport case, each person should hold the Tri Motion on each side, with one hand on the edge of the horn flare, and the other supporting the weight of the drivers to the rear, as shown in figure 2.1
- When removing the Tri Motion take care not to damage the lower tray of the transport case.

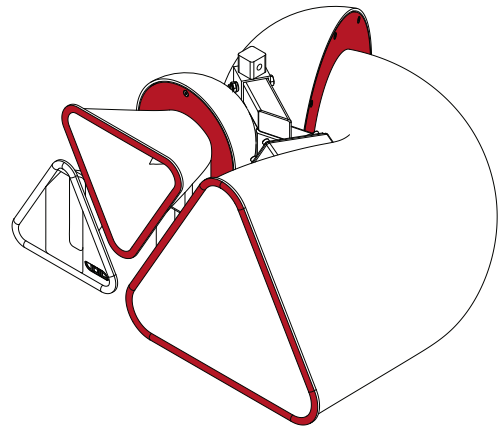


Figure 2.1: Safe handling positions diagram (as indicated in red)

Keep the original packaging in case you need to return a product for service later.

See section 1.5 for warranty conditions and see section 6 if your product needs servicing.

# 3 About

## 3.1 Welcome

Many thanks for purchasing this Void Acoustics Tri Motion. We truly appreciate your support. At Void, we design, manufacture and distribute advanced professional audio systems for the installed and live sound market sectors. Like all Void products, our highly skilled and experienced engineers have successfully combined pioneering technologies with ground-breaking design aesthetics, to bring you superior sound quality and visual innovation. In buying this product, you are now part of the Void family and we hope using it brings you years of satisfaction. This guide will help you both use this product safely and ensure it performs to its full capability.

## 3.2 Tri Motion overview

The aesthetically striking Tri Motion pushes sonic and creative frontiers, providing extraordinary efficiency and controlled dispersion, perfect for larger venues requiring cutting-edge performance.

## 3.3 Key Features

- Triangular format waveguides for enhanced pattern control
- Low resonance fibreglass composite construction
- Integrated flying and mounting system
- Optional floor stand or flying bracket

# 3 About

## 3.4 Tri Motion specifications

Frequency response	120 Hz - 20 kHz $\pm$ 3 dB
Efficiency	LF: 107 dB 1W/1m, HMF: 110 dB 1W/1m
Nominal impedance	LF: 8 $\Omega$ , HMF: 8 $\Omega$
Power handling <sup>1</sup>	LF: 700 W AES, HMF: 250 W AES
Maximum output <sup>2</sup>	135 dB cont, 141 dB peak
Driver configuration	1 x 15" LF, 1 x 8" MF, 1 x 1.5" HF compression driver
Dispersion	90°H x 60°V
Connectors	2 x 4-pole speakON™ NL4
Height	515 mm (20.3")
Width	810 mm (31.9")
Depth	720 mm (28.3")
Weight	47.1 kg (103.8 lbs)
Enclosure	Fibreglass composite
Mounting	Internal fly/mounting system. Can be used with stand or bracket
Colour	Custom colours available upon request

<sup>1</sup> AES2 - 1984 compliant <sup>2</sup> Calculated

# 3 About

## 3.5 Tri Motion dimensions

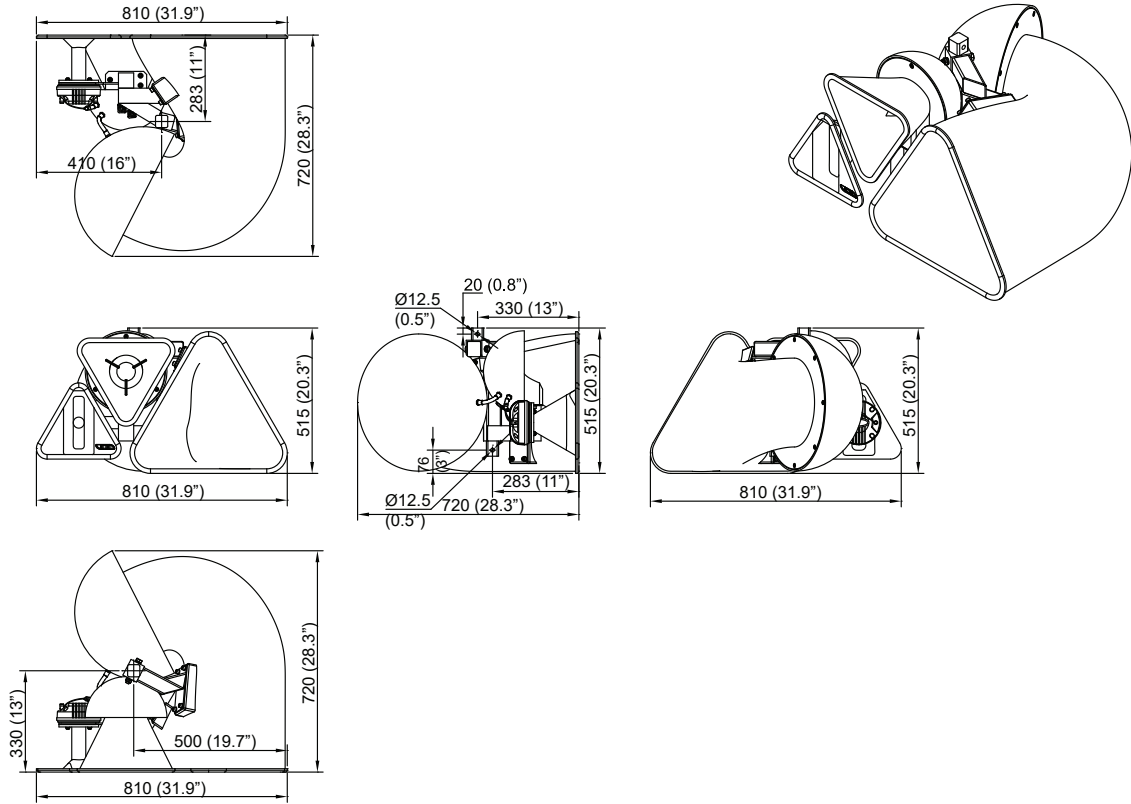


Figure 3.1: Dimensions (left-handed version)

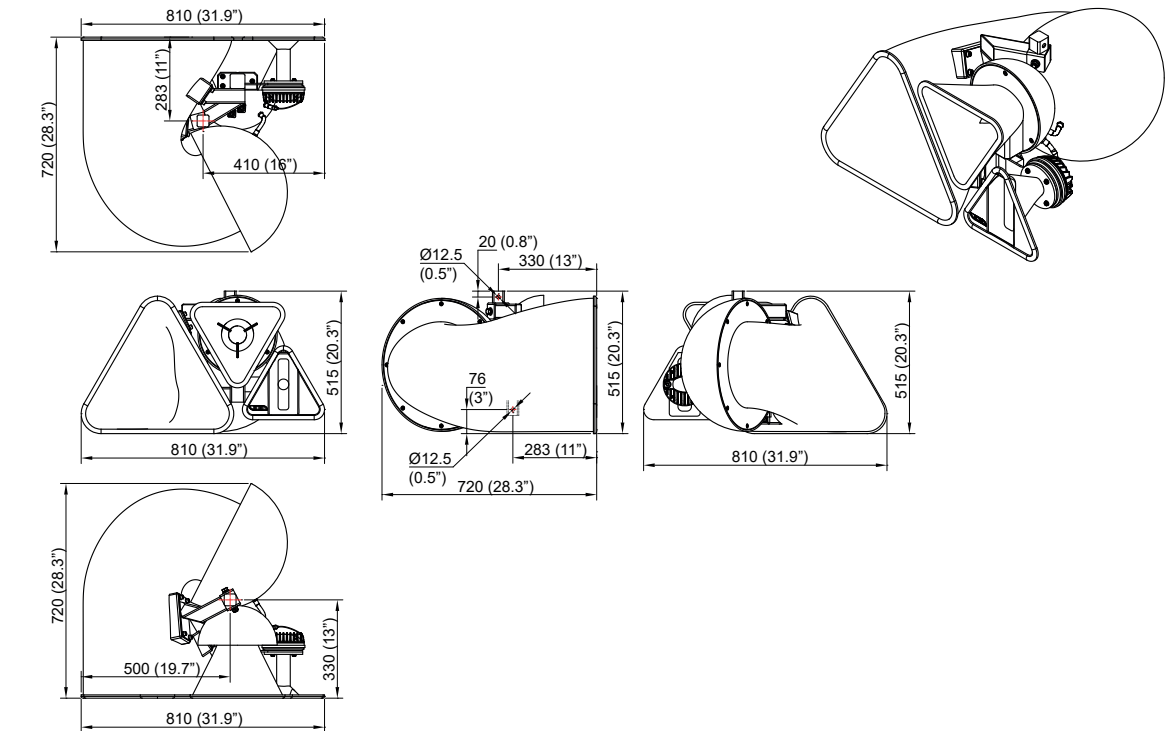


Figure 3.2: Dimensions (right-handed version)



# 4 Cable and Wiring

## 4.1 Electrical safety



To avoid electrical hazards please note the following:

- Do not access the inside of any electrical equipment. Refer servicing to Void-approved service agents

## 4.2 Cable considerations for fixed installations

We recommend specifying installation-grade Low Smoke Zero Halogen (LSZH) cables for permanent installations. Cables for permanent installations should be compliant with the following standards:

- IEC 60332.1 Fire retardancy of a single cable
- IEC 60332.3C Fire retardancy of bunched cables
- IEC 60754.1 Amount of Halogen Gas Emissions
- IEC 60754.2 Degree of acidity of released gases
- IEC 61034.2 Measurement of smoke density

Tri Motion loudspeakers are 3-way, bi-amplified. They require two amplifier channels to drive them via 4-core speakON™ NL4 cables. We suggest using the following maximum copper cable lengths to keep level losses below 0.6 dB.

Metric mm <sup>2</sup>	Imperial AWG	8 Ω load	4 Ω load	2 Ω load
2.50 mm <sup>2</sup>	13 AWG	36 m	18 m	9 m
4.00 mm <sup>2</sup>	11 AWG	60 m	30 m	15 m

# 4 Cable and Wiring

## 4.3 Tri Motion wiring diagram

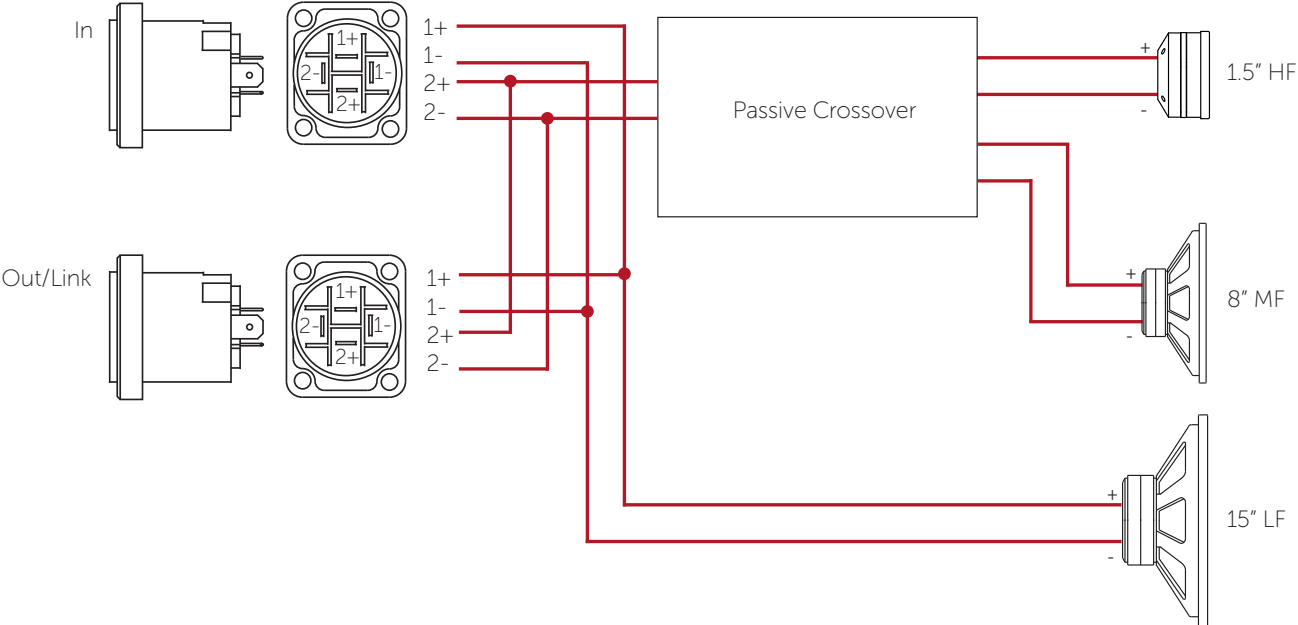


Figure 4.1: Tri Motion wiring diagram

	speakON™ pins 1+/1-	speakON™ pins 2+/2-
In	LF (15")	MHF (8" + 1.5")
Out	LF link	MHF link

# 4 Cable and Wiring

## 4.4 Bias D1/Q1/Q2 phoenix wiring

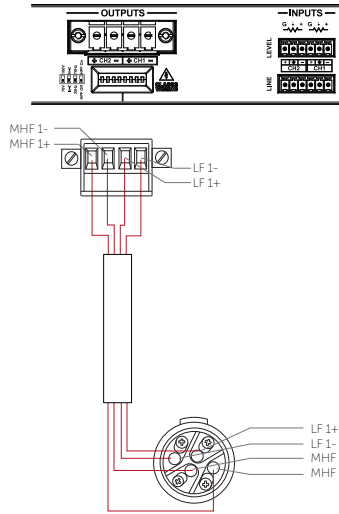


Figure 4.2: Bias D1

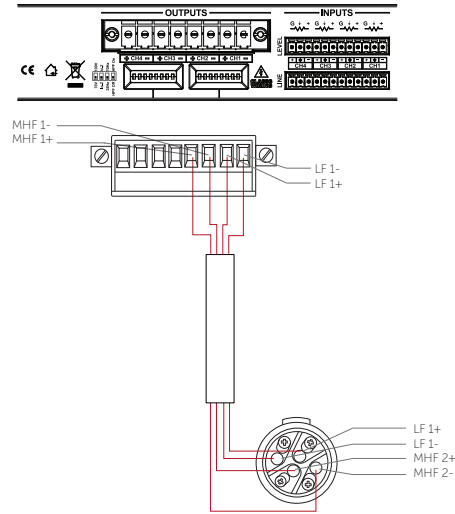


Figure 4.3: Bias Q1/Q2

Bias D1/Q1/Q2	Output 1	Output 2
Output	LF (15")	MHF (8"+1.5")
Max parallel units	4 (2 $\Omega$ load to amplifier)*	4 (2 $\Omega$ load to amplifier)*

\*Recommended max parallel units 2 (4  $\Omega$  load to amplifier) due to the power rating of the amplifier.

## 4.5 Bias Q3/Q5 speakON™ wiring

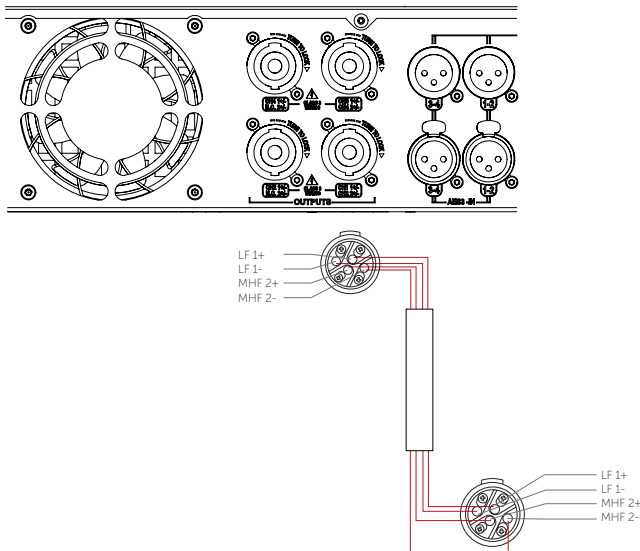


Figure 4.4: Bias Q3

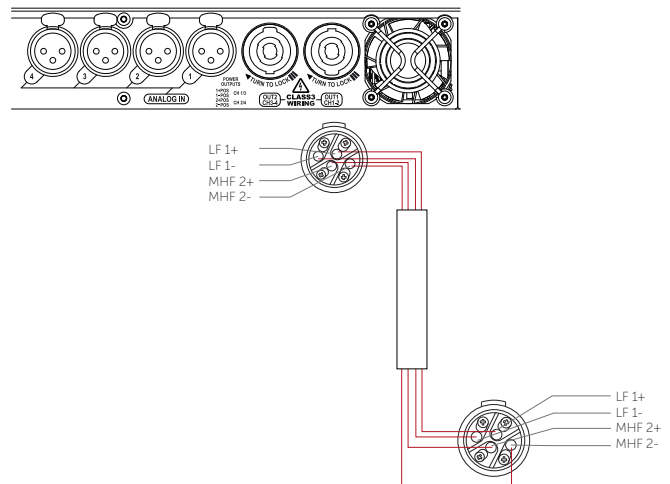


Figure 4.5: Bias Q5

Bias Q3/Q5	Output 1	Output 2
Output	LF (15")	MHF (8"+1.5")
Max quantity per channel	2 (4 $\Omega$ load to amplifier)	2 (4 $\Omega$ load to amplifier)

# 5 Mounting

## Tools required

- 19 mm ratchet spanner/wrench
- 6 mm Allen key

## 5.1 Installation safety



To avoid mechanical hazards, please note the following:

- Safety regulations vary in different regions. Full compliance with those regulations must be your priority
- Rigging must only be undertaken by fully-qualified and experienced riggers who understand local regulations
- This may include consulting a structural engineer before installation of wall brackets
- Remember that all personnel have a duty of care to themselves, to their assistants, to the venue staff and to the public
- Before lifting any part of the system above head height, check the whole rig for loose tools or other items that may fall and cause injury
- Do not use a telephone (even if hands-free) while rigging. Always concentrate fully on the rigging operation
- Do not rig equipment that is worn, damaged, corroded, mishandled or over-stressed in any way
- Use only Void-approved mounting equipment and accessories
- Secondary safeties should be provided in all instances where cabinets are flying or fixing overhead and should conform to local regulations

## 5.2 Mounting the 'U' Bracket

Parts required:

TU - Stud Bracket	White - IT1085
	Black - IT1083

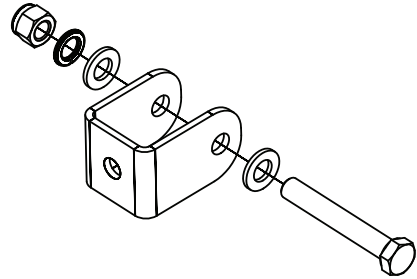


Figure 5.1: TU Stud Bracket

### Step 1:

Lay a soft lint free rug clear of debris on the ground to avoid damage to the speaker. Place the Tri Motion with the horns down taking care to follow the safe handling in section 2.

Note: The U bracket can be mounting both top and bottom of the internal mounting bracket. Insert the U bracket for the desired orientation.

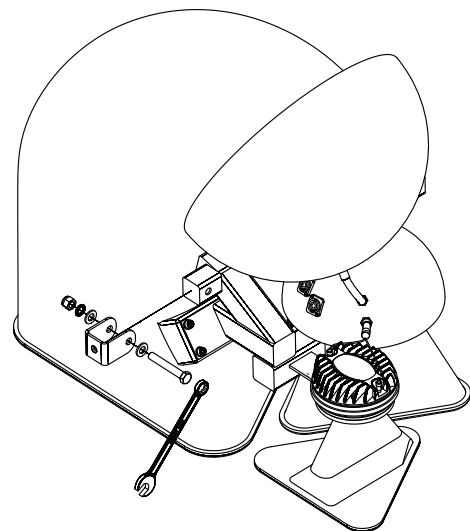


Figure 5.2: TU bracket positioning



### Step 2:

Note: The U bracket is threaded for the bolt on one side only. Insert the M12 x 70 mm bolt through the non-threaded side of the U bracket, then tighten the M12 nyloc nut.

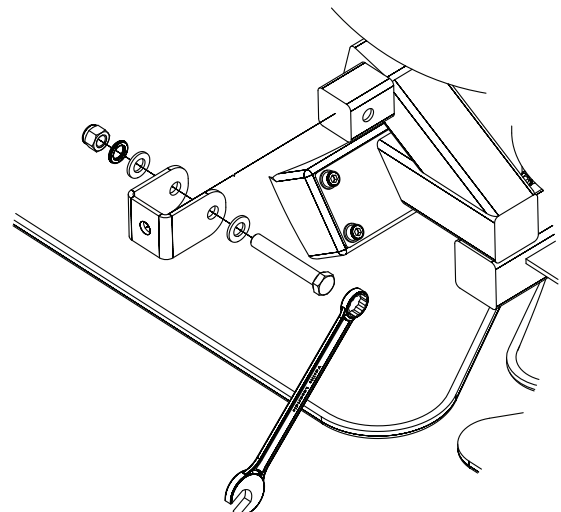


Figure 5.3: TU bracket detail

# 5.3 Ground Stack

Parts required:

Stasys X V2/Xair Mounting Board	White - IT1592
	Black - IT1591
TU - Multi Bracket (600mm)	White - IT1089
	Black - IT1088

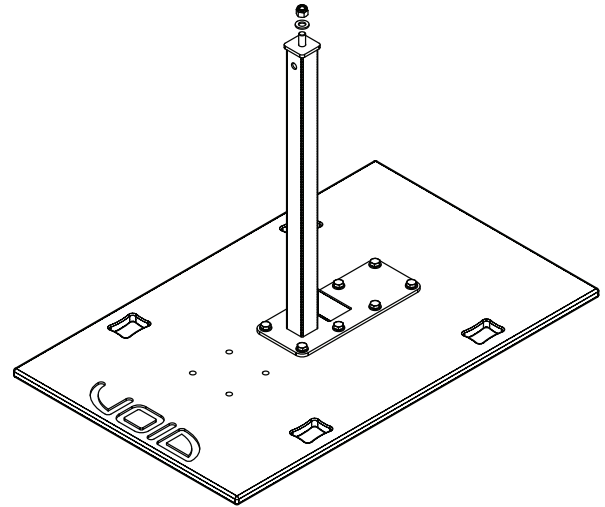


Figure 5.4: Stasys Xair/XV2 mounting board with TU - Multi Bracket

### Step 1:

Remove M12 Nyloc nut from stand using 19 mm ratchet spanner.

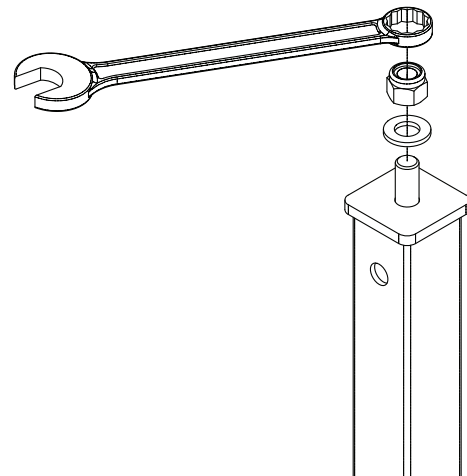


Figure 5.5: M12 Nyloc nut removal



### Step 2:

Lift the Tri Motion with two people (with one hand on the edge of the horn flare and the other supporting the weight of the drivers at the rear) and position the mounting hole over the stand bolt. For safe handling locations see section 2.

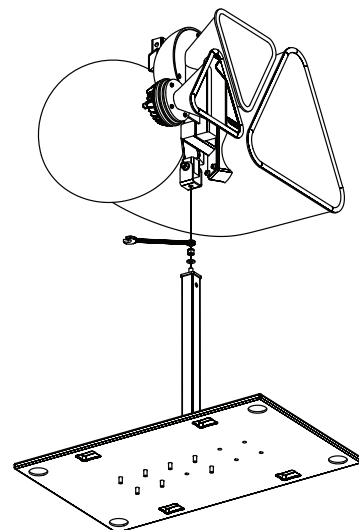


Figure 5.6: Tri Motion mounting

## 5.3 Ground Stack

### Step 3:

Tighten the M12 nyloc nut using a 19 mm ratchet spanner while another person supports the Tri Motion.

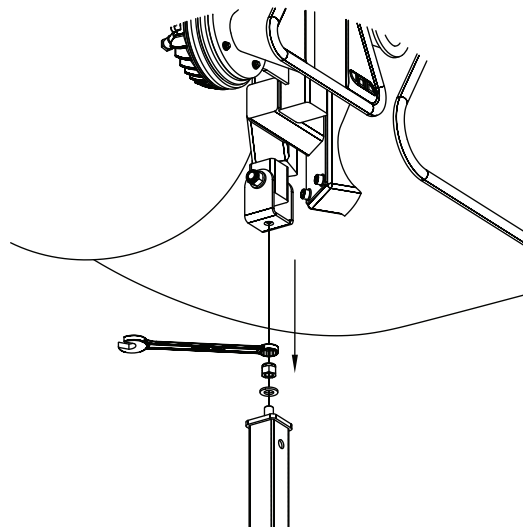


Figure 5.7: M12 nyloc nut tightening

### Step 4:

Confirm the Tri Motion is securely fastened to the stand, and lift the assembly onto the bass cabinet with suitable equipment.



The assembly is heavy; be aware of the high centre of gravity! You will need to tilt the mounting board forward to place one hand under the board and get a secure grip on the hand hold. Then place your other hand on the horn-flare. Raise the assembly to the bass cabinet and slide until the feet drop into the feet pockets. If the bass cabinet is on an uneven surface, ensure that it is stabilised with wedges before mounting the Tri Motion.

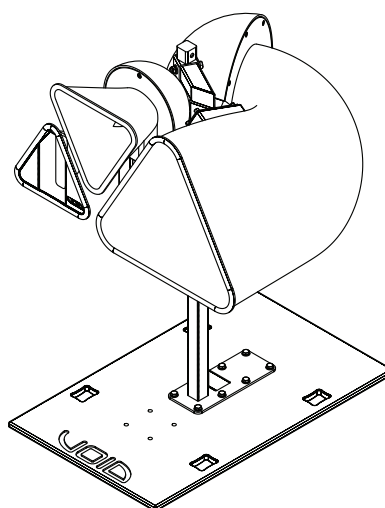


Figure 5.8: Tri Motion on mounting board

### Step 5:

Secure with a minimum of one 1 tonne SWL ratchet straps. Ensure the stand is secured from sliding or rotating and on a level surface.

Maximum vertical rotation:  $+86^{\circ}, -46^{\circ}$

Maximum horizontal rotation:  $\pm 180^{\circ}$

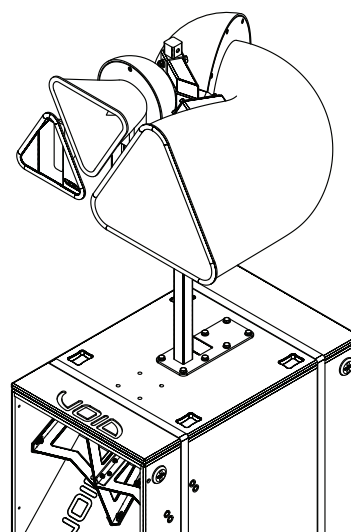


Figure 5.9: Tri Motion mounting

# 5.4 Wall Mounting

Parts required:

Multi Bracket	White - IT2088
Extension	Black - IT2089
TU - Multi Bracket	White - IT1089
(600mm)	Black - IT1088

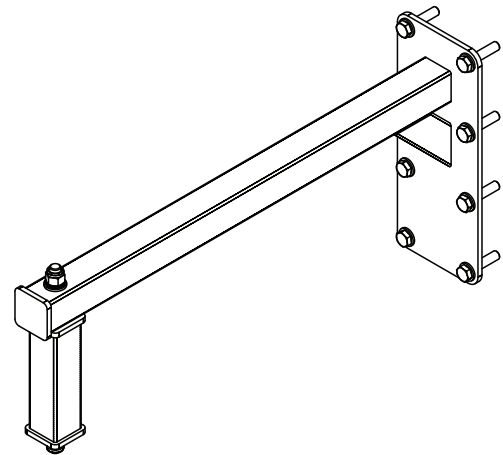


Figure 5.10: TU - Multi Bracket (600mm) with extension piece

### Step 1:

Begin by fixing the bracket to the wall and then fix the extension piece to the bracket with the M12 Nyloc nut using a 19 mm ratchet spanner.



All eight bolts must be fitted when securing the bracket to the wall. Take care when mounting the bracket to the wall, making sure to use the correct fixing and that the wall can take the load.

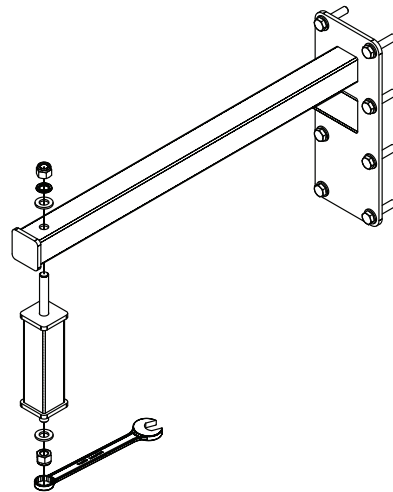


Figure 5.11: Extension piece assembly

### Step 2:

Lift the Tri Motion into position making sure to hold by the safe lifting positions detailed in section 3.

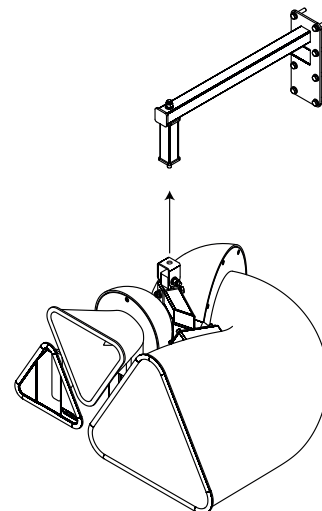


Figure 5.12: Tri Motion lifting



## 5.4 Wall Mounting

### Step 3:

Attach the U bracket to the extension piece with the M12 Nyloc nut using a 19 mm ratchet spanner.

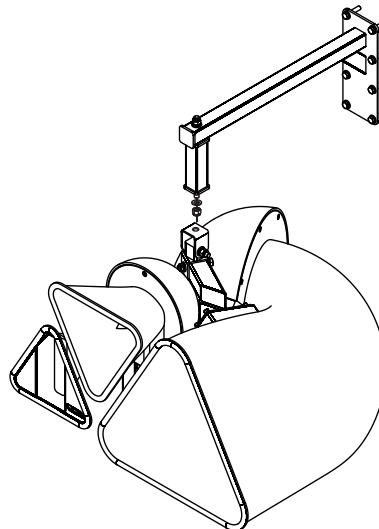


Figure 5.13: Tri Motion wall mount

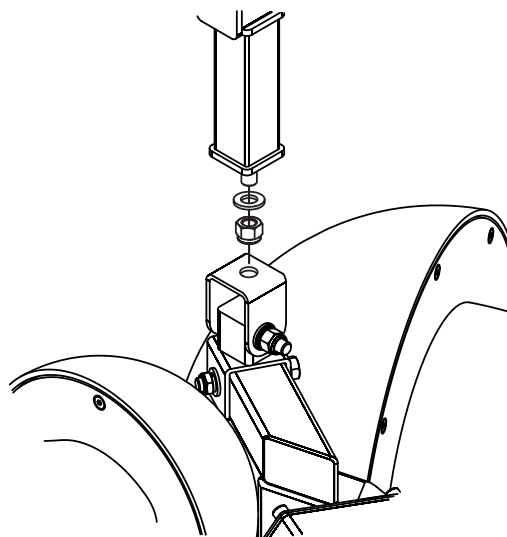


Figure 5.14: Tri Motion wall mount detail

### Step 4:

With the lifting equipment still in place, attach the secondary bond safety wire (not supplied) to the central box section. The safety wire should be attached to a secondary fixing point, close to where the bracket is fixed to the wall.

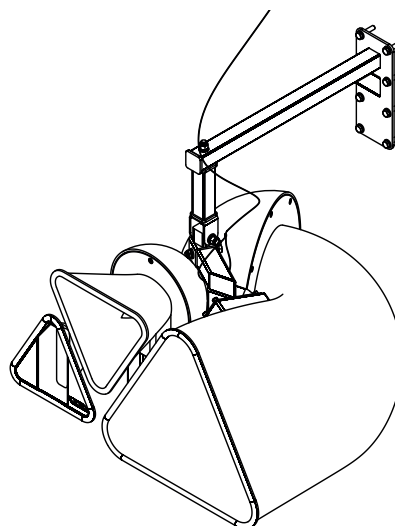


Figure 5.15: Safety wire attachment

## 5.4 Wall Mounting



The safety wire must be rated to 47.1 kg (103.8 lbs) with a safety factor conforming to local regulations.

Maximum vertical rotation:  $+86^{\circ}, -85^{\circ}$

Maximum horizontal rotation:  $\pm 180^{\circ}$

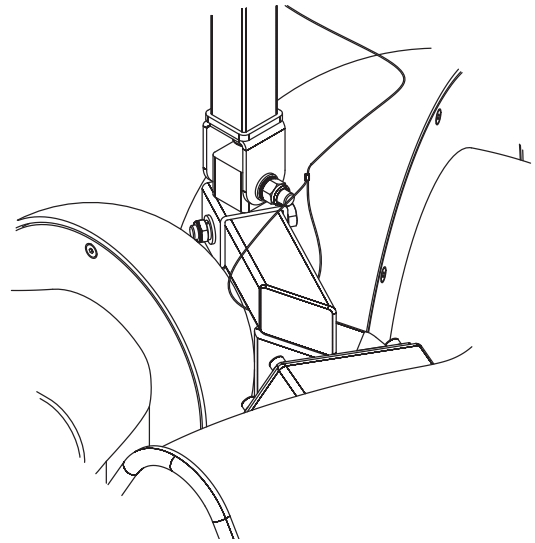


Figure 5.16: Safety wire attachment detail

# 5.5 Ceiling Mounting

Parts required:

TU - Multi Bracket (600mm)	White - IT1089
	Black - IT1088

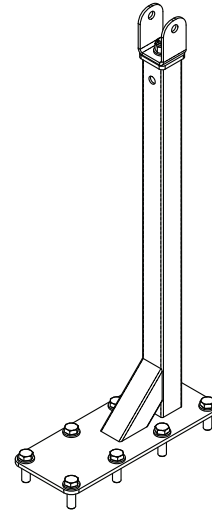


Figure 5.18: TU - Multi Bracket (600mm)

### Step 1:

Attach the 'U' bracket to the Tri Motion as detailed in section 5.2. Lift the Tri Motion into position making sure to hold it by the safe lifting positions detailed in section 2.



All eight bolts must be fitted when securing the bracket to the ceiling.

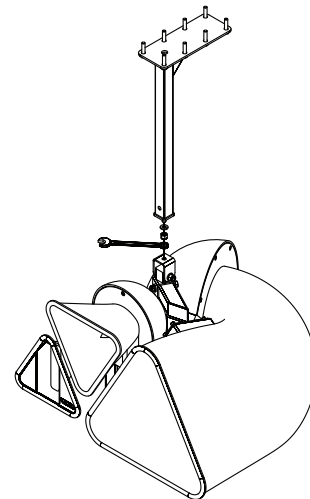


Figure 5.19: Tri motion ceiling mounting

### Step 2:

Attach the Tri Motion the bracket with the M12 Nyloc nut using a 19 mm ratchet spanner.

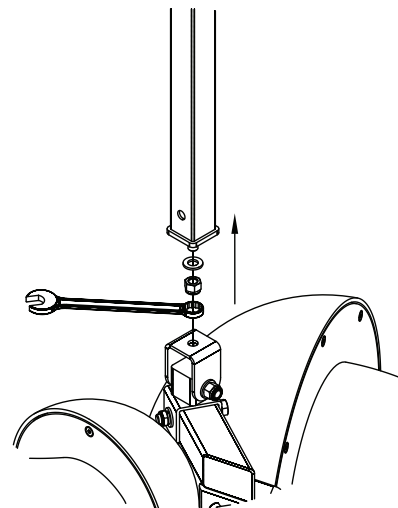


Figure 5.20: Tri motion ceiling mounting detail

## 5.5 Ceiling Mounting

### Step 4:

Attach the secondary bond (safety wire) to the central box section.

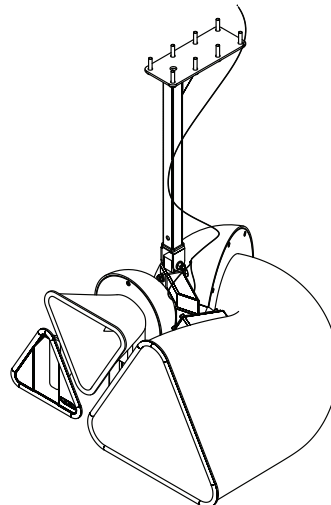


Figure 5.21: Safety wire attachment



The safety wire must be rated to 47.1 kg (103.8 lbs) with a safety factor conforming to local regulations.

Maximum vertical rotation:  $+86^{\circ}, -85^{\circ}$

Maximum horizontal rotation:  $\pm 180^{\circ}$

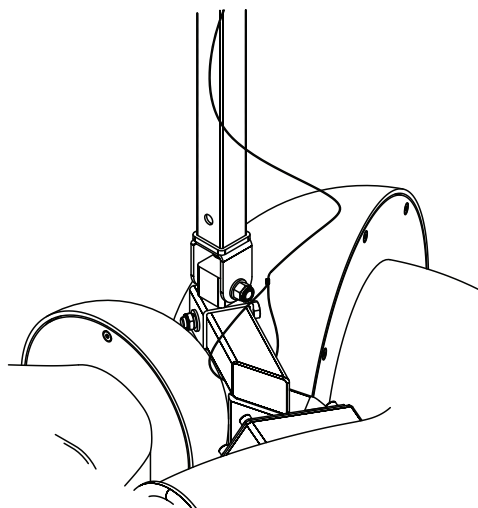


Figure 5.22: Safety wire detail

# 5.6 Truss Mounting

Parts required:

TU - Truss Bracket	White - IT1082
	Black - IT1081

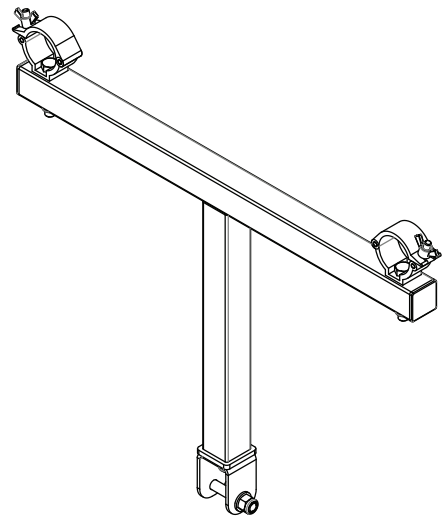


Figure 5.23: TU - Truss Bracket

### Step 1:

Remove the wing-nuts from the couplers and position the bracket in the desired location on the truss.

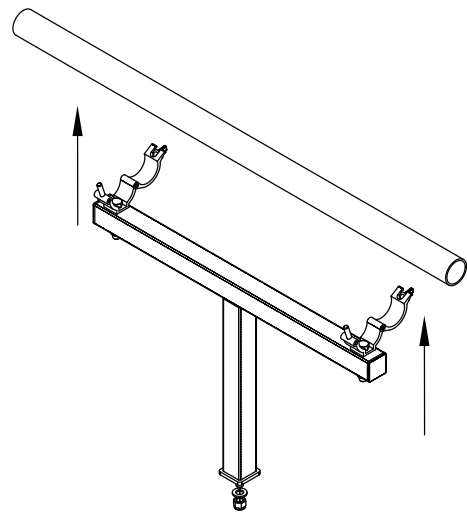


Figure 5.24: Truss bracket positioning

### Step 2:

Tighten the wing-nuts on the couplers so that the bracket is securely fastened. Remove the M12 Nyloc nut using a 19 mm ratchet spanner.

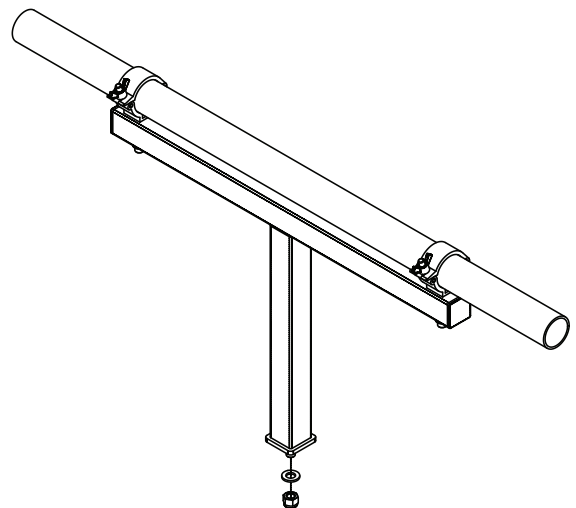


Figure 5.25: Truss bracket fixing

# 5.6 Truss Mounting

### Step 3:

Lift the Tri Motion with 'U' bracket attached into position making sure to hold it by the safe lifting positions detailed in section 2.

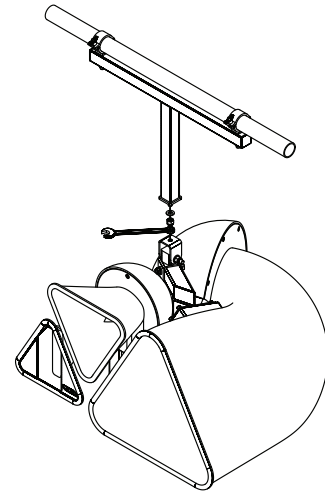


Figure 5.26: Tri Motion truss mount

### Step 4:

Attach the Tri Motion the bracket with the M12 Nyloc nut using a 19 mm ratchet spanner.

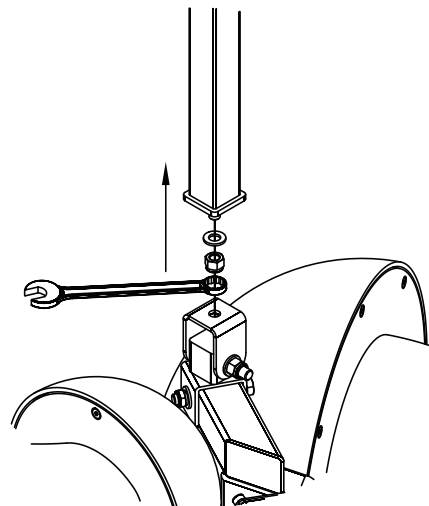


Figure 5.27: Tri Motion truss mount detail

### Step 5:

Attach the secondary bond (safety wire) to the central box section.



The safety wire must be rated to 47.1 kg (103.8 lbs) with a safety factor conforming to local regulations.

Maximum vertical rotation: +86°,-85°

Maximum horizontal rotation: ±180°

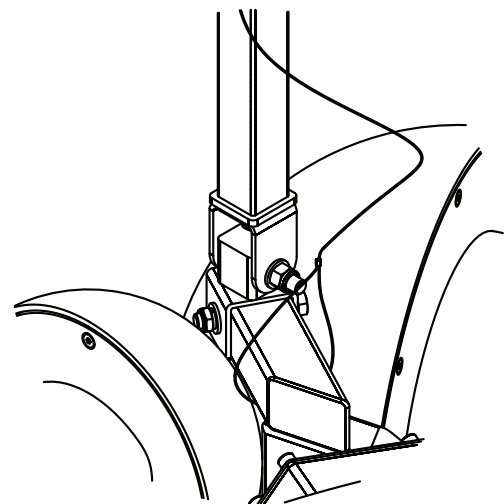


Figure 5.28: Safety wire attachment

# 5.7 Ceiling Pole Mounting

Parts required:

TU - Ceiling Bracket (500mm)	White - IT2817
	Black - IT2816
TU - Ceiling Bracket (1000mm)	White - IT3486
	Black - IT3485
TU - Ceiling Bracket (1500mm)	White - IT3149
	Black - IT2462
TU - Ceiling Bracket (3000mm)	Black - IT2027
	White - IT3904

Note: Pole can be cut to length and re-drilled on site should interim lengths be required.

### Step 1:

Attach the U bracket as in section 5.2. Lift the Tri Motion into position making sure to hold it by the safe lifting positions detailed in section 2.

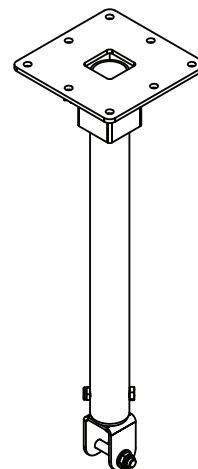


Figure 5.29: TU - Ceiling Bracket

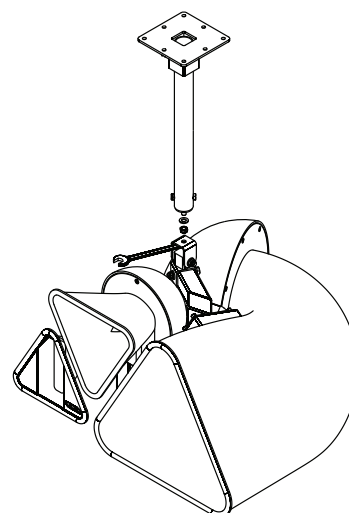


Figure 5.30: Tri Motion positioning

### Step 2:

Attach the Tri Motion the bracket with the M12 Nyloc nut using a 19 mm ratchet spanner.

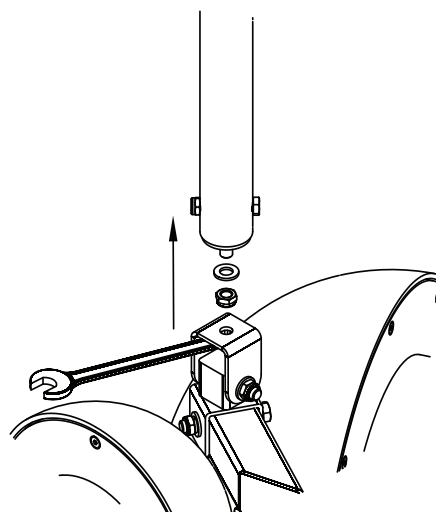


Figure 5.31: Attaching the Tri Motion

# 5.7 Ceiling Pole Mounting

## Step 3:

Attach the secondary bond (safety wire) to the central box section.



The safety wire must be rated to 47.1 kg (103.8 lbs) with a safety factor conforming to local regulations.

Maximum vertical rotation: +86°,-85°

Maximum horizontal rotation: ±180°

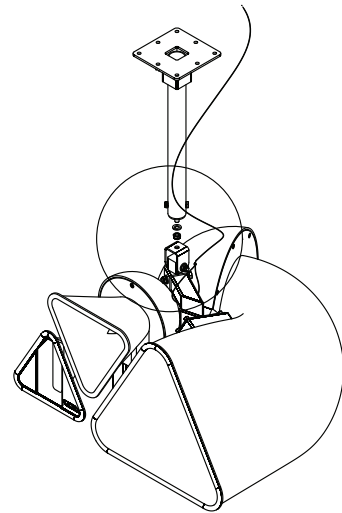


Figure 5.32: Safety wire attachment

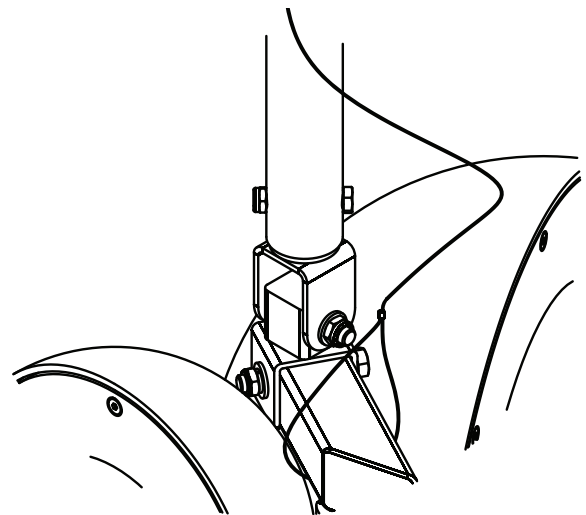


Figure 5.33: Safety wire detail



# 5.8 Pole Mounting

Parts required:

TU - Pole Bracket	White - IT3514
	Black - IT3513

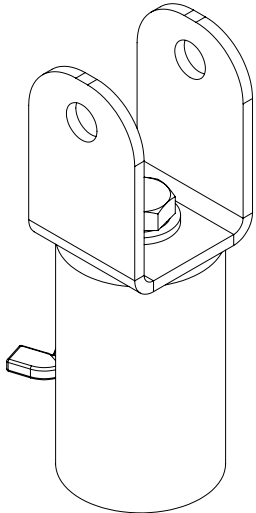


Figure 5.34: TU - pole bracket

**Step 1:**  
Remove the M12 bolt from the pole mount bracket.

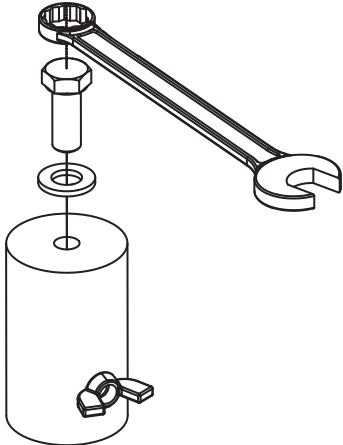


Figure 5.35: Pole mount bracket removal

**Step 2:**  
Mount the pole mount bracket to the U bracket.

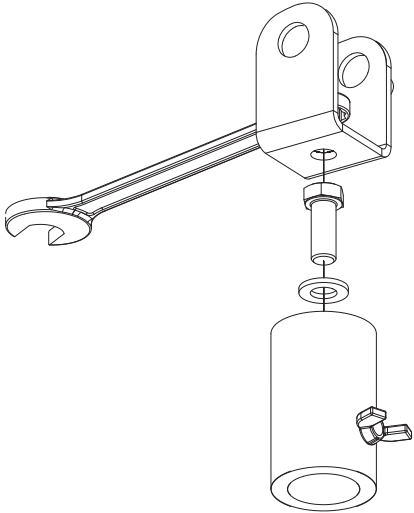


Figure 5.36: Mounting to the U bracket

## 5.8 Pole Mounting

### Step 3:

Attach the U bracket to the Tri Motion following the steps in 5.2. Lift the Tri Motion loudspeaker into position taking care to follow the safe handling positions detailed in section 2.

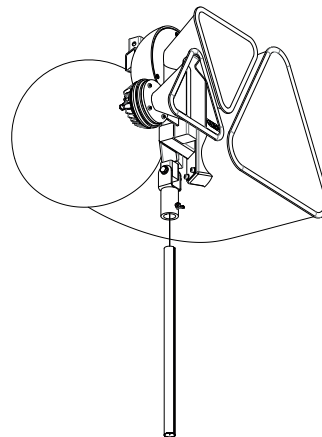


Figure 5.37: Positioning the loudspeaker

### Step 4:

Adjust the loudspeaker into the desired position and then tighten the wing nut on the pole mount bracket.

Maximum vertical rotation:  $+86^{\circ}, -46^{\circ}$

Maximum horizontal rotation:  $\pm 180^{\circ}$

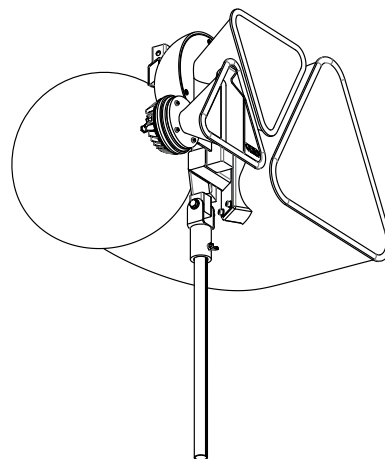


Figure 5.38: Adjusting the loudspeaker position

# 6 Service

Void Tri Motion loudspeakers should only be serviced by a fully trained technician.



No user serviceable parts inside. Refer servicing to your dealer.

## 6.1 Return authorisation

Before returning your faulty product for repair, please remember to get an R.A.N. (Return Authorisation Number) from the Void dealer who supplied the system to you. Your dealer will handle the necessary paperwork and repair. Failure to go through this return authorisation procedure could delay the repair of your product.

Note that your dealer will need to see a copy of your sales receipt as proof of purchase so please have this to hand when applying for return authorisation.

## 6.2 Shipping and packing considerations

- When sending a Void Tri Motion loudspeaker to an authorised service centre, please write a detailed description of the fault and list any other equipment used in conjunction with the faulty product
- Accessories will not be required. Do not send the instruction manual, cables or any other hardware unless your dealer asks you to
- Pack your unit in the original factory packaging if possible. Include a note of the fault description with the product. Do not send it separately
- Ensure safe transportation of your unit to the authorised service centre.

# 7 Appendix

The loudspeaker shall be an active three-way bi-amped system consisting of one high power 15" (380 mm) isometric triangular horn loaded low frequency (LF) transducer with a two way mid-high frequency section consisting of an 8" (200 mm) isometric triangular horn loaded mid-high frequency (MHF) transducer and one 1.5" (38.1 mm) diameter exit high frequency (HF) compression driver mounted on a waveguide. Both the LF and MHF transducers shall be enclosed in separate and independent moulded fibreglass composite cabinet with a smooth cellulose finish of any RAL colour.

The LF and MHF transducers shall be constructed on a cast aluminium frame, with a treated paper cone, 63.5 mm (4") for the LF and 50.8 mm (2") for the MHF voice coil, wound with copper wires on a high quality voice coil former, for high power handling and long term-reliability. The HF transducer shall project its sound through a high precision wave-guide with a 200 mm (8") baffle to achieve pattern control and low distortion.

Performance specifications for a typical production unit shall be as follows: the usable on-axis bandwidth shall be 120 Hz to 20 kHz ( $\pm 3$  dB) and shall average 60° directivity pattern on the vertical axis and 90° on the horizontal one (-6 dB down from on-axis level) from 1 kHz to 12 kHz. Maximum SPL shall be 141 dB peak measured at 1 m using IEC268-5 pink noise. Crossover points shall be at 500 Hz and 1.4 kHz using 3rd order filters (18 dB per octave). The system shall be powered by its own dedicated power amplification module with DSP management. The wiring connection shall be via two Neutrik speakON™ NL4 (one for input and one for loop-out to another speaker), to allow for pre-wiring of the connector before installation.

The enclosures shall be bolted onto a powder coated steel frame using no less than four M8 bolts per horn. This frame aligns the horns in the correct acoustic space to achieve constant directivity across the loudspeaker system's entire dispersion. The frame will incorporate mounting holes for a U bracket fixture for attaching to ceiling, wall and ground stack mounting brackets. The external dimensions of the enclosures and frame shall be (W) 810 mm x (H) 515 mm x (D) 720 mm (31.9" x 20.3" x 28.3"). Weight shall be 47.1 kg (103.8 lbs).

The loudspeaker shall be the Void Acoustics Tri Motion.

## NORTH AMERICA

Void Acoustics North America

**Call:** +1 503 854 7134

**Email:** [sales.usa@voidacoustics.com](mailto:sales.usa@voidacoustics.com)

## HEAD OFFICE

Void Acoustics Research Ltd,  
Unit 15, Dawkins Road Industrial Estate,  
Poole, Dorset,  
BH15 4JY  
United Kingdom

**Call:** +44(0) 1202 666006

**Email:** [info@voidacoustics.com](mailto:info@voidacoustics.com)



Hear. Feel. Connect.

[voidacoustics.com](http://voidacoustics.com)